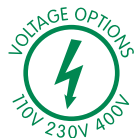


2S-500B Mobile Offline Oil Filtration System

- Simple controls
- Suitable for continuous operation
- Over-pressure protection
- Mild steel construction, powder coated
- Self-priming gear pump
- Transfer function -
for movement of the oil without filtration



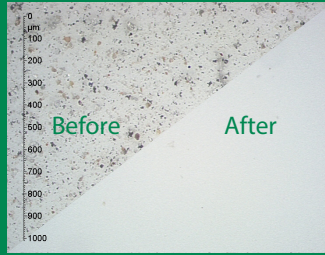
Results

Water Removed



Removes free and dissolved water

Particles Removed



Achievable oil cleanliness / cleanliness class in the ideal case:
13/11/8 (ISO 4406: 1999)
Class 2 (NAS 1638)
- better than new oil quality levels

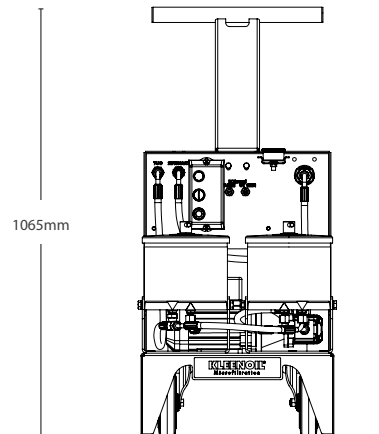
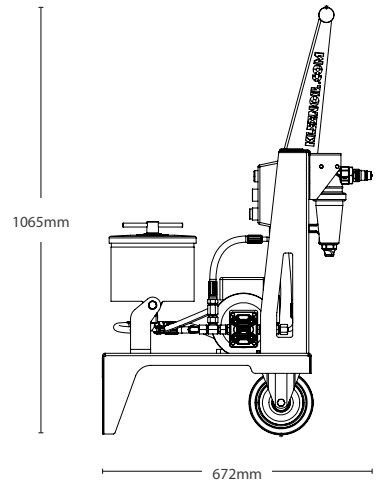
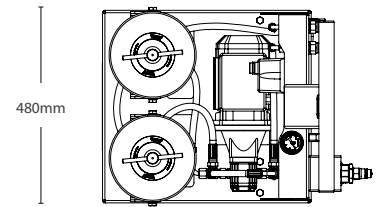
Benefits

- Removes varnish and microparticles down to 1 micron
- Removes free and dissolved water contamination
- Increases system reliability
- Prevents system corrosion (water!)
- Less component wear
- Extended oil change intervals; CO₂ -reduction
- Reduces operating costs
- Simple oil sample taking

Application Examples

This offline mobile filter system with the SDFC filter elements fitted as standard is suitable for filtration of mineral oil based and/or synthetic, non water-based lubricants and pressure fluids. This filter system is ideal for application in all service-workshops or manufacturing plants such as, e.g.:

- Power generation
- Plastic Moulding
- Cement industry
- Every kind of industry where oils are employed



Type	Max. Operating Temp.	IP Rating	Flow rate (average value at < 40 cSt.) l/h	Pump Suction Lift	Voltage/ Motor performance/ Current Draw	Dimensions (mm)		Weight (kg)	Filter Element Type	Retention Capacity per element (x2)	
						H	W			Dirt: ≤ 2 kg	Water: ≤ 0.5 l
2S-500B	60°C	IP55	240	Self-priming to 5.5 m	110 / 230 / 400V 0,37 KW ≤ 6.5 / ≤ 3.0 / ≤ 1.5 Amps	1065	480	52	Standard fit: 2 x SDFC (oil based fluids)	Dirt: ≤ 2 kg	Water: ≤ 0.5 l
						L	672				

KLEENOIL PANOLIN AG

Schnöttring 2-3 79804 Dogern Deutschland
T. +49 7751 8383-0 F. +49 7751 8383-29 E. info@kleenoil.com
www.kleenoilpanolin.com

The specification and photography above is for reference only and may be subject to change.
KLEENOIL is a trademark of the company KLEENOIL PANOLIN AG. © KLEENOIL PANOLIN AG. All rights reserved.

KLEENOIL[®]
Microfiltration